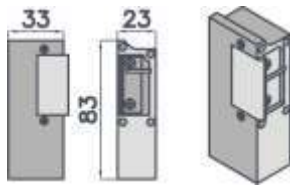


	ZN	Zincata Zinc Plated
	CR	Cromata Chrome Plated
	NK	Nichelata Nichel Plated

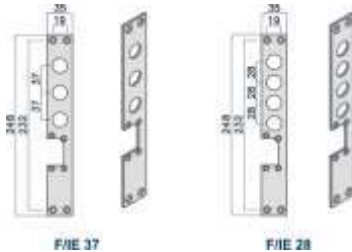
Accessori Accessories



Incontri Elettrici Electric Strikers

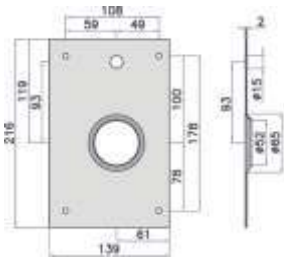


Code	Finitura Finishing	Mano Hand	Confenzione Packaging
I/E 125 DX	CR	DX	10
I/E 125 SX	CR	SX	10



Frontali per Incontri Elettrici Plates for Electric Strikers

Code	Finitura Finishing	Mano Hand	Confenzione Packaging
F/IE 28 DX	CR	DX	10
F/IE 28 SX	CR	SX	10
F/IE 37DX	CR	DX	10
F/IE 37SX	CR	SX	10



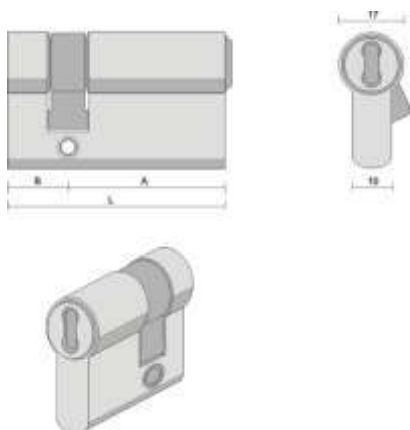
PIAM2

Piastre di fissaggio Fixing plate for lock

Code	Per Articolo For Article	Mano Hand	Materiale Material
PIAL3	501**	DX-SX	Acciao-Steel 3mm
PIAL3/IM/D	501**	DX	Acciao-Steel 3mm
PIAL3/IM/S	501**	SX	Acciao-Steel 3mm
PIAL32	502**	DX-SX	Acciao-Steel 3mm
PIAL32/IM/D	502**	DX	Acciao-Steel 3mm
PIAL32/IM/S	502**	SX	Acciao-Steel 3mm

Code	Per Articolo For Article	Mano Hand	Materiale Material
PIAM2	501**	DX-SX	Manganese-2mm
PIAM2/IM/D	501**	DX	Manganese-2mm
PIAM2/IM/S	501**	SX	Manganese-2mm
PIAM22	502**	DX-SX	Manganese-2mm
PIAM22/IM/D	502**	DX	Manganese-2mm
PIAM22/IM/S	502**	SX	Manganese-2mm

Cilindro a Profilo Europeo C-MAX European Profile Cylinder C-MAX



Code	A	B	L
C-MAX 0/36	27	9	36
C-MAX 0/41	32	9	41
C-MAX 0/46	37	9	45
C-MAX 0/31	42	9	51
C-MAX 0/36	47	9	56
C-MAX 0/41	52	9	61
C-MAX 0/36	57	9	66
C-MAX 0/46	62	9	71
C-MAX 0/41	67	9	76
C-MAX 0/51	72	9	81
C-MAX 0/46	77	9	86